

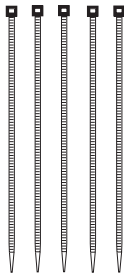
Sensor Mounting Shelf

for Vantage Pro® and Vantage Pro2™

The Sensor Mounting Shelf is for use with the Integrated Sensor Suite (ISS) of the Vantage Pro and Vantage Pro2. The shelf has mounting provisions for a Solar Radiation Sensor and an Ultraviolet Radiation (UV) Sensor. This manual contains instructions for installing the shelf on the ISS. Please refer to the appropriate sensor installation manual for instructions on mounting sensors.

Components

The Sensor Mounting Shelf includes the following components:



4" Cable Ties



#4 x 3/8" Self-tapping Screws



Cable Clamps



#4 Flat Washers



#10-24 x 7-3/4" Screws



Support Tubes



#10 Lock Washers

#10 Flat Washers

#10-24 Nuts

Please Note: There are two types of Sensor Mounting Shelves, one black plastic (product number 6673) and one white aluminium (product number 6672). Both shelf types use the same installation instructions, and they are functionally identical.

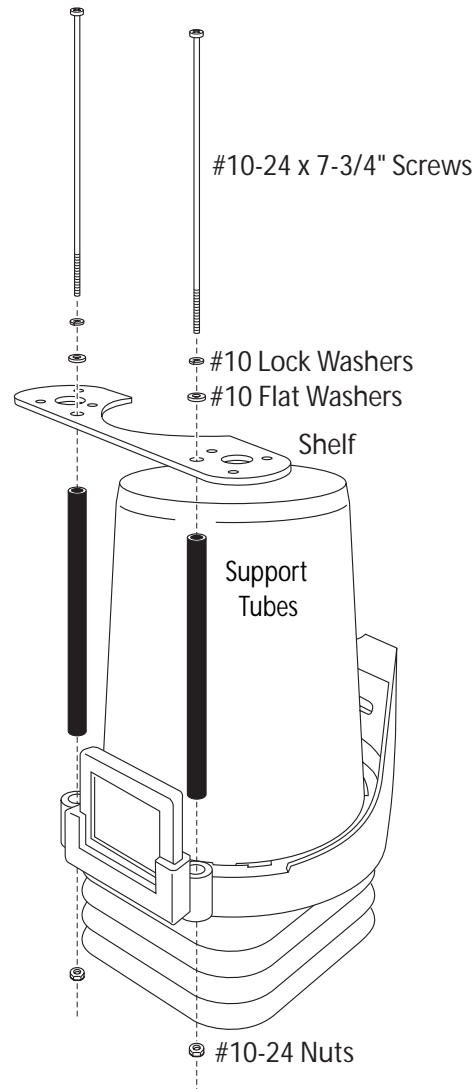
Tools for Setup

To install the Sensor Mounting Shelf you will need a medium Phillips screwdriver.

Vantage Pro

Follow the procedures listed below to install a Sensor Mounting Shelf on a Vantage Pro ISS. If you have a Vantage Pro2, please follow the instructions on the following page.

1. Place a support tube on one of the two mounting holes in the rain collector base. Refer to the opposite illustration.
2. Place a lock washer and a flat washer onto one of the 7-3/4" screws.
3. Locate the support tube mounting holes in the shelf. Refer to the illustration on the last page.
4. With the shelf support tube hole centered over the tube, insert the screw through the shelf, the tube and the base.
5. Place a nut in the opening of the hexagonal recess on the underside of the base.
6. Turn the screw until the assembly is loosely held together.
7. Repeat steps 1–6 with the second support tube and screw.
8. On the underside of the Sensor Mounting Shelf, verify that the tops of both support tubes are located inside the circular recesses in the shelf.
9. Tighten both support tube screws.

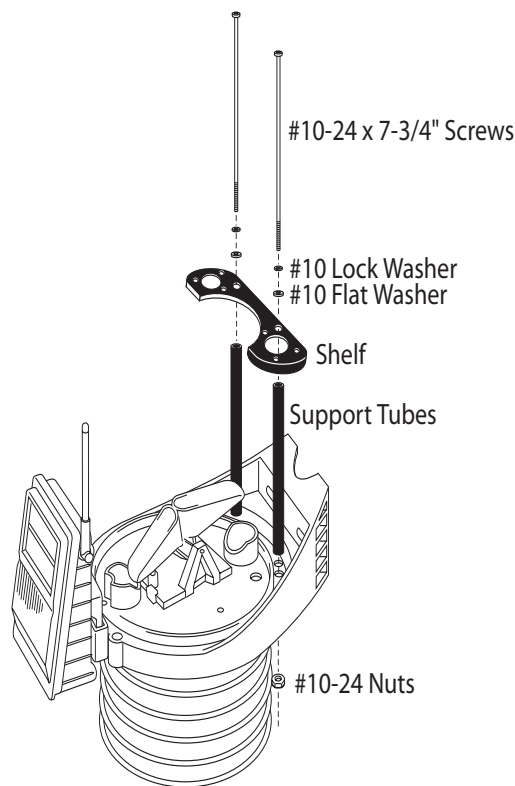


Note: This manual shows installation of the Sensor Mounting Shelf before either the Solar Radiation or UV Sensor has been attached to it. One or both sensors may also be mounted on the shelf before it is installed on the ISS. Consult the appropriate sensor manual for instructions. It makes no difference which sensor is mounted on the right/left side of the shelf. **Final leveling of the sensors should be done after the ISS is mounted in its operating location.**

Vantage Pro 2

Follow the procedures listed below to install a Sensor Mounting Shelf on a Vantage Pro 2 ISS.

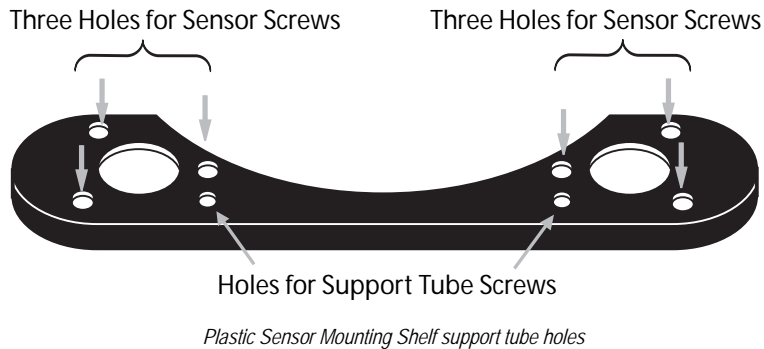
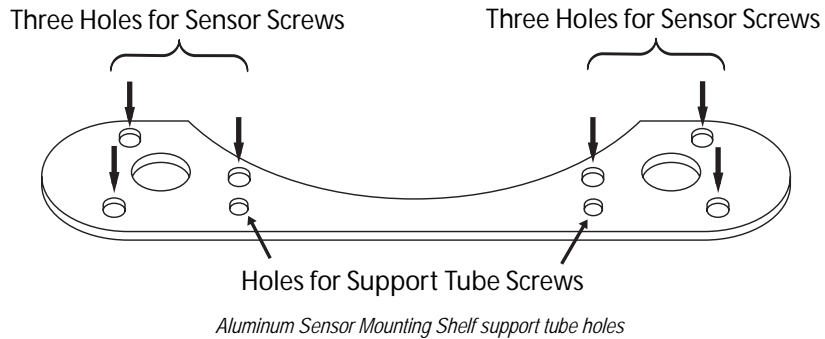
1. Place a support tube on each of the outside mounting holes at the rear of the rain collector base. Refer to the illustration opposite.
2. Place a lock washer and a flat washer onto one of the 7-3/4" screws.
3. Locate the support tube mounting holes in the shelf. Refer to the illustration on the last page.
4. With the shelf support tube hole centered over the tube, insert the screw through the shelf, the tube and the base.
5. Place a nut in the opening of the hexagonal recess on the underside of the base.
6. Turn the screw until the assembly is loosely held together.
7. Repeat steps 1–6 with the second support tube and screw.
8. On the underside of the Sensor Mounting Shelf, verify that the tops of both support tubes are located inside the circular recesses in the shelf.
9. Tighten both support tube screws.



Note: In this illustration, the Rain Collector Cone has been removed for clarity. It is not necessary to remove the cone to install the Sensor Mounting Shelf. Do **NOT** install the shelf using the holes in front of the Rain Collector Cone, as this will impair reception. This manual shows installation of the Sensor Mounting Shelf before either the Solar Radiation or UV Sensor has been attached to it. The sensors may also be mounted on the shelf before it is installed on the ISS. Consult the appropriate sensor manual for instructions. It makes no difference which sensor is mounted on the right/left side of the shelf. After the sensors are installed, guide the sensor cables through the inside holes at the rear of the rain collector base. **Final leveling of the sensors should be done after the ISS is mounted in its operating location.**

Sensor Mounting Shelf support tube holes

The following illustrations show the locations of the support tube holes in both the black plastic and the white painted aluminum Sensor Mounting Shelf types. The installation procedure and mechanical performance of the different shelves are identical.



Product Number: 6672 and 6673
Sensor Mounting Shelf

Part Number: 07395.133
Rev B Manual (October 4, 2004)

Copyright © 2004 Davis Instruments Corp. All rights reserved.

DAVIS 
Davis Instruments
3465 Diablo Avenue, Hayward, CA 94545-2778
510-732-9229 • Fax: 510-732-9188
E-mail: info@davisnet.com • www.davisnet.com