

## for Wireless Vantage Pro2™ systems

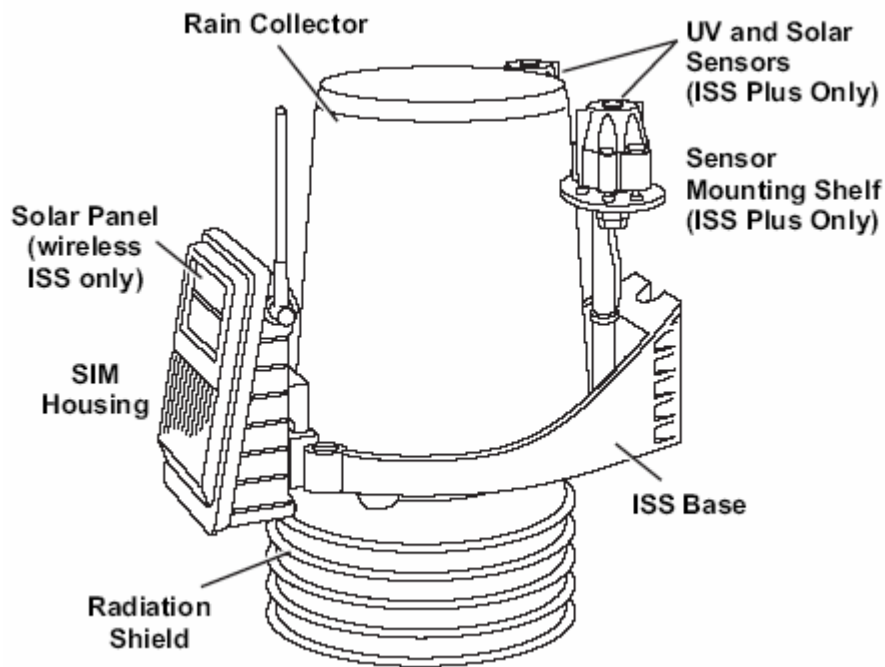
### INTRODUCTION

This document illustrates alternative ways the components of Vantage Pro2 systems can be configured for unique applications. Many of the applications illustrated here can also be applied to versions of the Vantage Pro®, which all have an identical Sensor Interface Module (SIM) for connecting the sensors and wireless transmission of the sensor data.

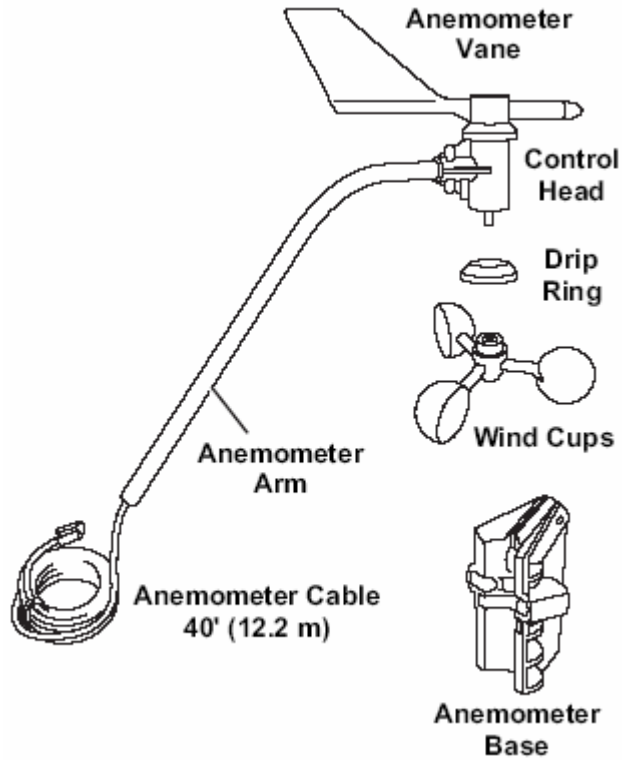
### VANTAGE PRO2 SYSTEM OVERVIEW

Vantage Pro2 weather stations include the following components:

- An Integrated Sensor Suite (ISS) with:
  - Radiation Shield (housing and protecting the temperature and humidity sensors from the affects of solar and infrared radiation, wireless version available with 24-Hour Fan aspiration not shown)
  - Rain Collector



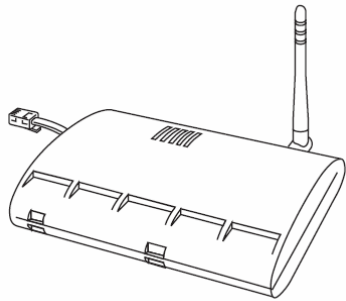
- Anemometer (for wind speed and direction), which can be separated from the other components with the included 40' (12 m) of cable or by using an Anemometer Transmitter Kit



- Receiver/Display console (which also houses the barometer sensor)

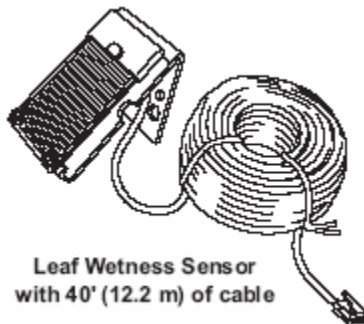


Alternatively, you can purchase the ISS (#6322 - #6328) separately along with a Weather Envoy™ #6316 and WeatherLink® software #6510 if you don't need a physical display.



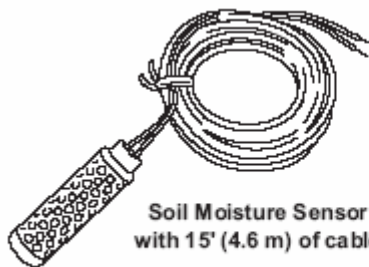
Additionally, you can purchase a Plus system (also available with 24-Hour Fan), which includes the following pre-installed sensors: Solar Radiation and UV (Ultra-Violet) Radiation

A wireless Leaf & Soil Moisture/Temperature Station #6345 can be purchased along with various combinations of soil temperature, soil moisture and leaf wetness sensors for agricultural applications. This station can be combined with any wireless configuration listed in this document. You will need to purchase a console/receiver or Envoy for each Leaf & Soil Moisture/Temperature Station. If you populate one station with all soil moisture sensors and another with all leaf wetness sensors, you can have two stations on a console/receiver or Envoy provided that you call the soil moisture station "SOIL" and the leaf wetness station "LEAF".



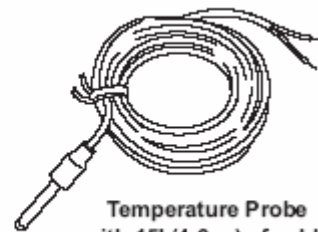
Leaf Wetness Sensor with 40' (12.2 m) of cable

Optional Leaf Wetness Sensor (#6420)



Soil Moisture Sensor with 15' (4.6 m) of cable

Optional Soil Moisture Sensor (#6440) and Optional Temperature Sensor (#6470)



Temperature Probe with 15' (4.6 m) of cable

## SPECIALTY APPLICATIONS

For specialty applications, the standard package may differ from your needs. The following sections will cover these applications. In most cases, the Anemometer Transmitter Kit (since it has all the sensor jacks and a solar panel) can be used as a substitute for the ISS. For most situations, it will be more economical to use an ISS as your primary station. Use the following optional guidelines only if you have specific requirements that make using an ISS inappropriate.

In all cases listed, a Wireless Vantage Pro2 Console/Receiver or a Weather Envoy and WeatherLink software is also required to view the data. For continuous and permanent data storage, a computer with WeatherLink software is required whether you are using a Vantage Pro2 console or Weather Envoy. Always use a temperature/humidity station when readings are to be used for weather observing purposes (such as reporting this data to NOAA). Solar Radiation and UV radiation sensors can be added to any of the configurations listed below.

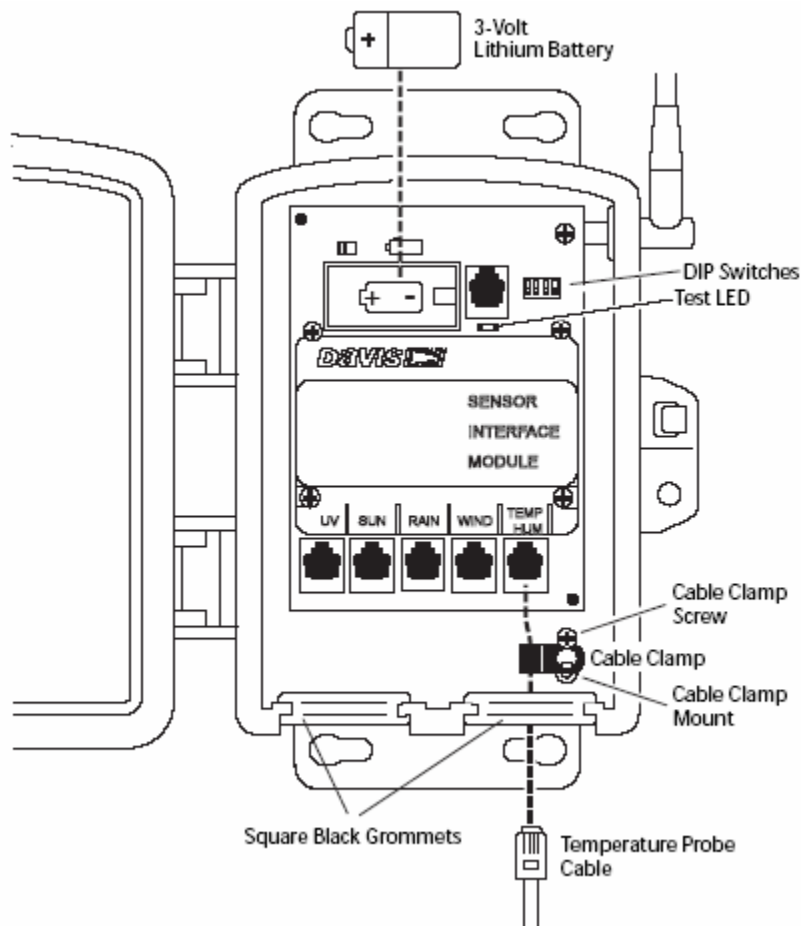
## TEMPERATURE OR TEMPERATURE AND HUMIDITY MEASUREMENTS

### Temperature Only

For applications for measuring water or soil temperature only or installations in shady locations, purchase the following items:

- Wireless Temperature Station #6372
- (Optional Solar Power, may not be applicable when installed in a shady location): Universal Outdoor Enclosure Door with Solar Panel #7345.086 to replace the existing blank door on the station

Set the Station Type on your console/receiver or Envoy to "ISS" to display and log data in tenths of a degree. To measure multiple stations of this type you can set each transmitter as a TEMP station. To log in tenths of a degree, you will need to purchase a console/receiver or Envoy for each Temperature Station.

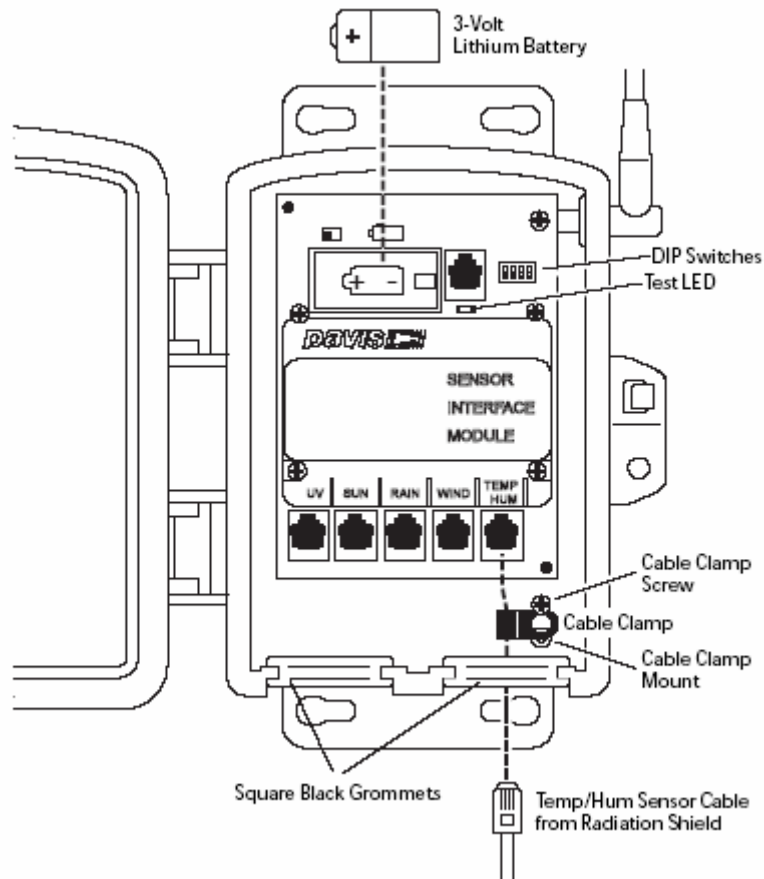


## Temperature and Humidity Only

For applications requiring only the measurement of temperature and humidity, purchase the following items. If you want a solar powered solution, it will be less expensive to purchase the standard product listed at the beginning of this document.

- Wireless Temperature/Humidity Station #6382
- (Optional Solar Power): Universal Outdoor Enclosure Door with Solar Panel #7345.086 to replace the existing blank door on the station

Set the Station Type on your console/receiver or Envoy to "ISS" to display and log data in tenths of a degree. To measure multiple stations of this type you can set each transmitter as a TEMP/HUM station. To log in tenths of a degree, you will need to purchase a console/receiver or Envoy for each Temperature/Humidity station.

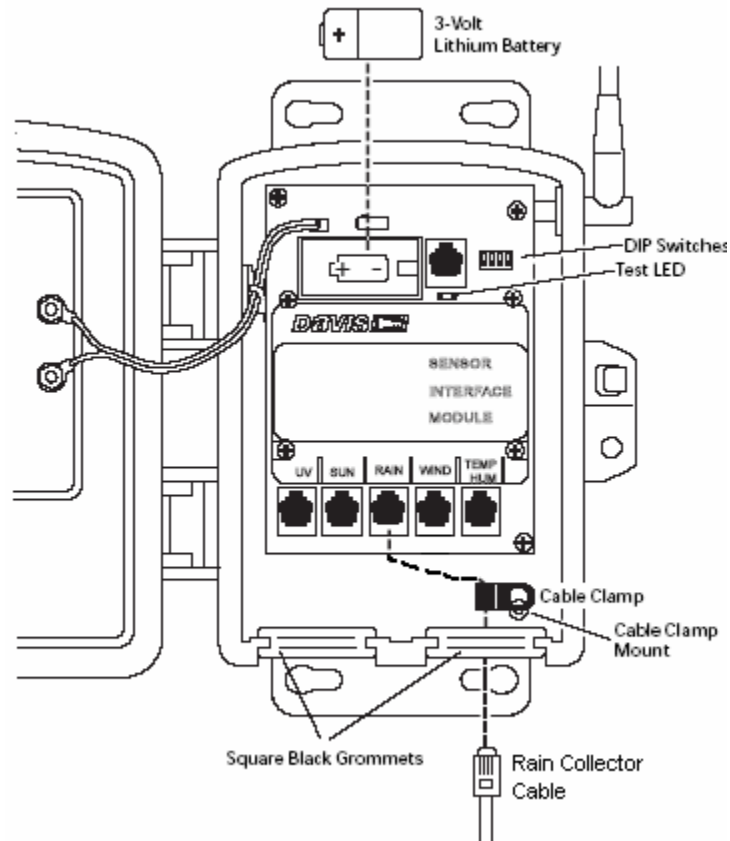


## RAIN MEASUREMENTS

For applications only requiring the measurement of rainfall, purchase the following items:

- Rain Collector #7852
- Anemometer Transmitter Kit #6332

Plug the Rain Collector into the RAIN jack on the SIM. Set the Station Type on your console/receiver or Envoy to "ISS". To measure multiple stations of this type, you will need to purchase a console/receiver or Envoy for each rain station.

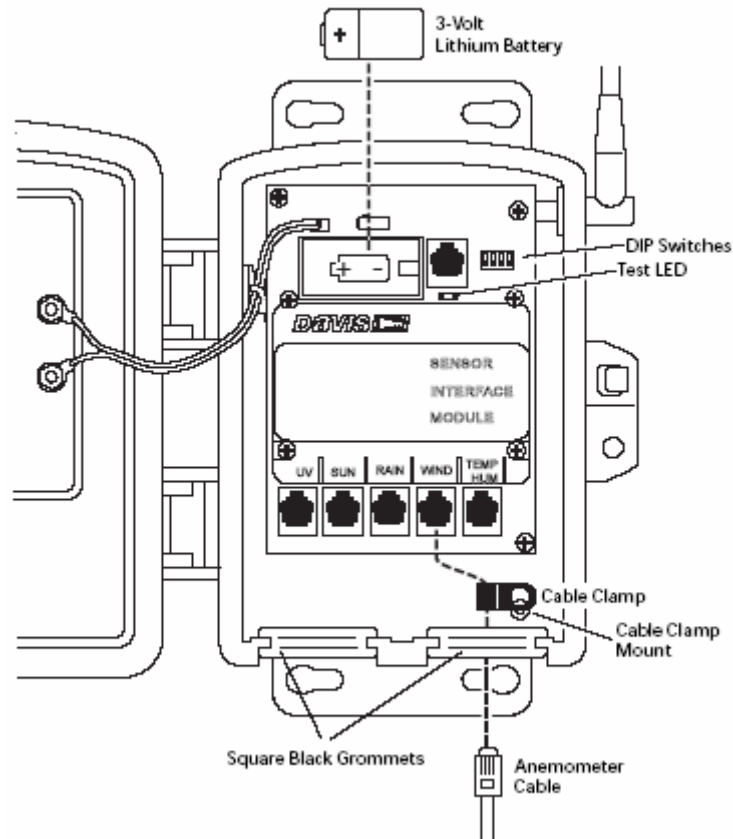


## WIND MEASUREMENTS

For applications where wind and only wind must be measured, purchase the following items:

- Anemometer Transmitter Kit #6332
- Anemometer for Vantage Pro2 or Vantage Pro #6410

Plug the Anemometer into the WIND jack on the SIM. Set the Station Type on your console/receiver or Envoy to "ISS". To measure multiple stations of this type, you will need to purchase a console/receiver or Envoy for each wind station. Note: setting the station type to WIND will work, but will not allow you to see all the reception diagnostics in the software.

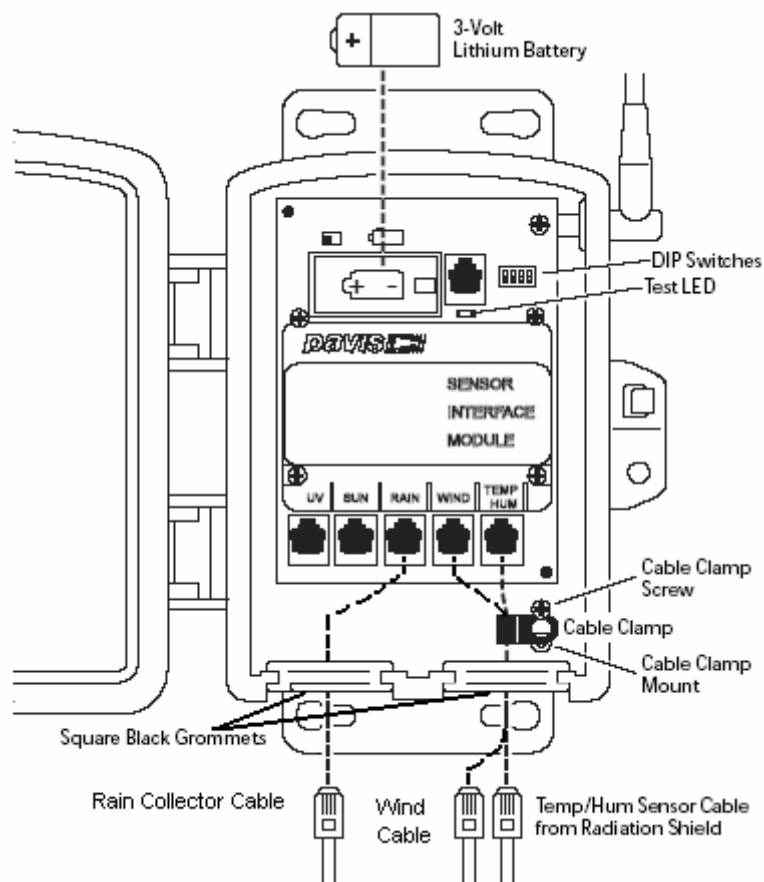


## TEMPERATURE, HUMIDITY AND WIND MEASUREMENTS

For applications where only these parameters must be measured, purchase the following items:

- Wireless Temperature/Humidity Station #6382
- (Optional Solar Power): Universal Outdoor Enclosure Door with Solar Panel #7345.086 to replace the existing blank door on the station
- Anemometer for Vantage Pro2 or Vantage Pro #6410
- (Optional, if you want to locate your anemometer away from the temperature/humidity station) Anemometer Transmitter Kit #6332

Plug the anemometer into the WIND jack. Set the Station Type on your console/receiver or Envoy to "ISS". To measure multiple stations of this type, you will need to purchase a console/receiver or Envoy for each station. Using a separate WIND station will cause the reception data from the wind station, not the ISS, to be logged.



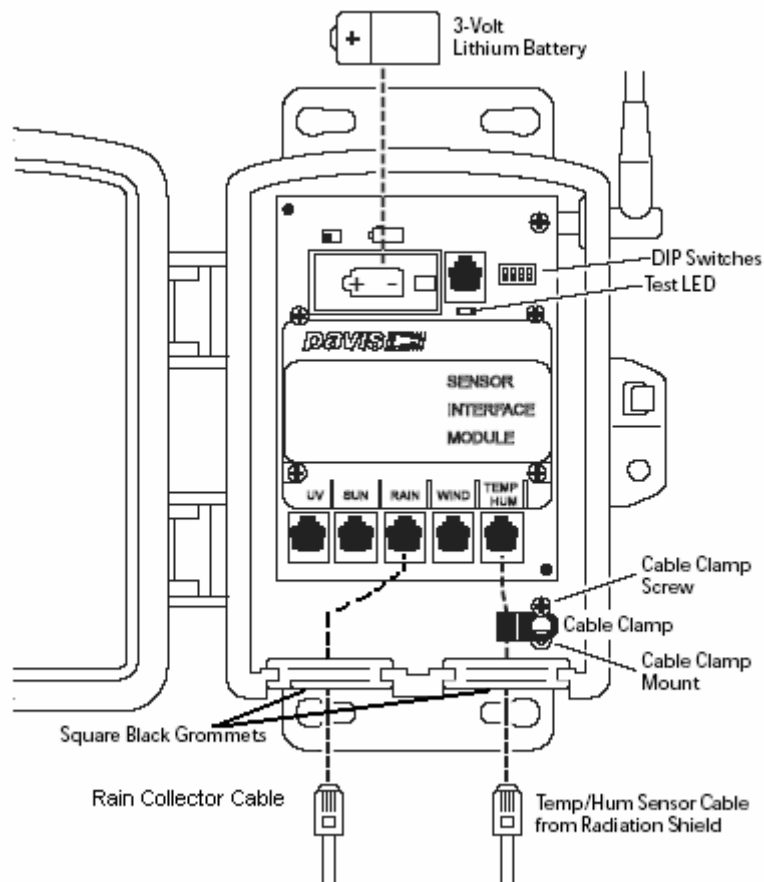


## TEMPERATURE, HUMIDITY AND RAIN MEASUREMENTS

For applications where you want to log only these parameters or you want to separate your rain collector from the temperature/humidity station:

- Wireless Temperature/Humidity Station #6382
- (Optional Solar Power): Universal Outdoor Enclosure Door with Solar Panel #7345.086 to replace the existing blank door on the station
- Rain Collector #7852

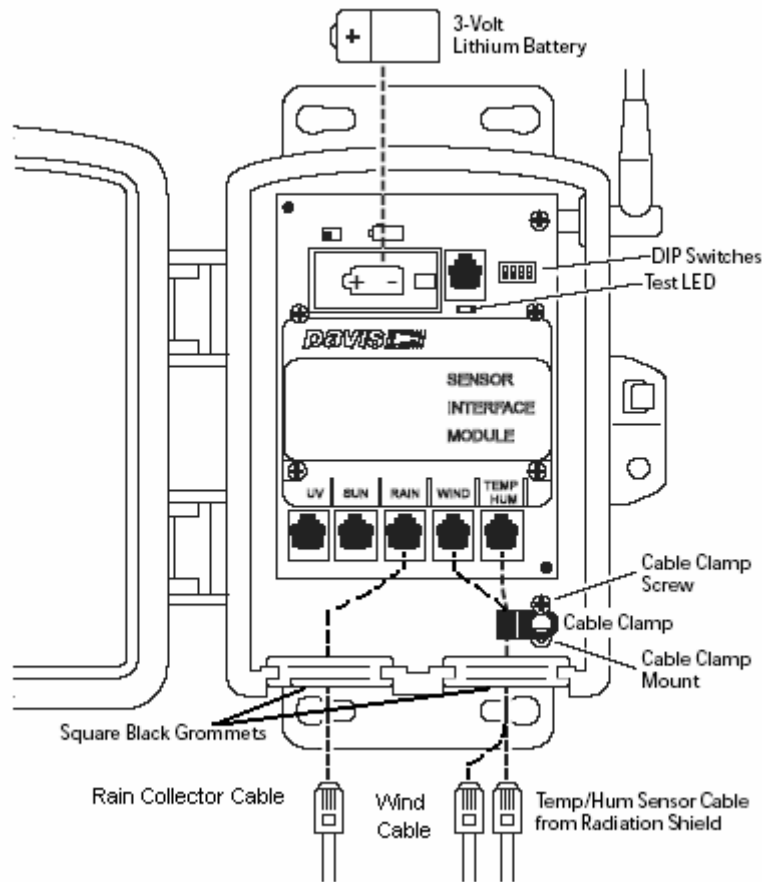
Plug the Rain Collector into the RAIN jack on the SIM. Set the Station Type on your console/receiver or Envoy to "ISS". To measure multiple stations of this type, you will need to purchase a console/receiver or Envoy for each station.



TEMPERATURE, HUMIDITY, WIND AND RAIN MEASUREMENTS with Rain Collector separated from the temperature/humidity shield

- Wireless Temperature/Humidity Station #6382
- (Optional Solar Power): Universal Outdoor Enclosure Door with Solar Panel #7345.086 to replace the existing blank door on the temperature/humidity station
- Anemometer for Vantage Pro2 or Vantage Pro #6410
- (Optional, if you want to locate your anemometer away from the temperature/humidity station) Anemometer Transmitter Kit #6332
- Rain Collector #7852

Plug the anemometer into the WIND jack and the Rain Collector into the RAIN jack on the SIM. Set the Station Type on your console/receiver or Envoy to "ISS". To measure multiple stations of this type, you will need to purchase a console/receiver or Envoy for each station.



**DAVIS**   
**Davis Instruments**

3465 Diablo Avenue, Hayward, CA 94545 U.S.A.  
Phone: 510-732-9229 • Fax: 510-732-9188  
sales@davisnet.com • <http://www.davisnet.com>